



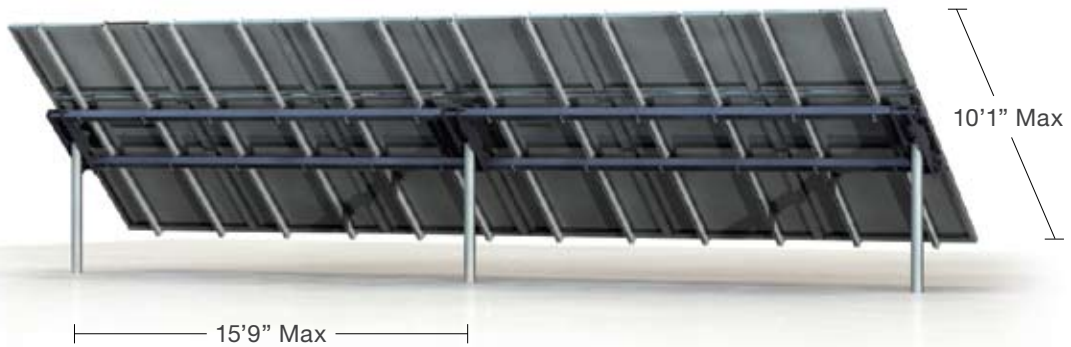
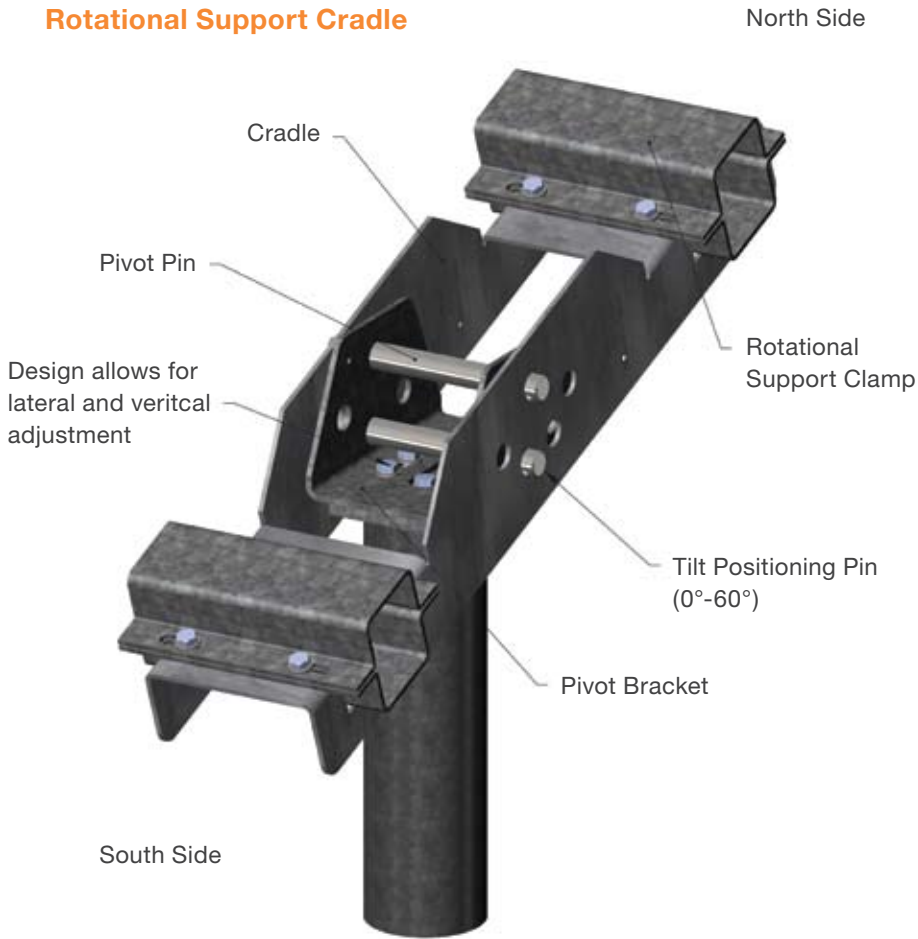
## ADJUSTABLE TILT GROUND MOUNT

**The TTI Adjustable Tilt Ground Mount (ATGM) is a robust multi-pole-mount system. Module area per pole foundation is maximized, reducing installation time, foundation requirements and labor costs. Pre-drilled positioning holes and alignment pins allow for 0 through 60 degree tilt adjustment providing for latitude versatility and annual production increases of up to 12%. Balanced design makes seasonal adjustments simple and easy.**

- Dual beam rotational system allows for a maximum number of modules to be supported using a minimal number of foundations.
- Durable and corrosion resistant galvanized steel and aluminum components to ensure long life.
- Rotational Support Cradles arrive preassembled for quick and easy installation and ensure no missing or lost parts.
- +3 (-0) inches of vertical adjustment ability, and +/- 3-inches of lateral adjustment.
- Compatible with most commercially available modules
- Wind resistant up to 90 MPH at IBC

# TECHNICAL SPECIFICATIONS

## Rotational Support Cradle



Patent Pending

[www.ttisolar.com](http://www.ttisolar.com)

Thompson Technology Industries, Inc.  
20 Leveroni Court, Novato, CA 94949

Tel: 415.446.0103 Fax: 415.883.7915  
Email: [info@ttisolar.com](mailto:info@ttisolar.com)

© 2011

